

# Minimal XT striker for Polaris 2XT, Revolution XT and Vitra - for wooden door frame



### Description

Nylon striker with rounded edge, width 18 mm, length 57 mm. Minimalist, linear design ensures that it is practically invisible on the door frame. It can be adjusted under pressure (up to 1,5 mm) by turning the striker 180°.

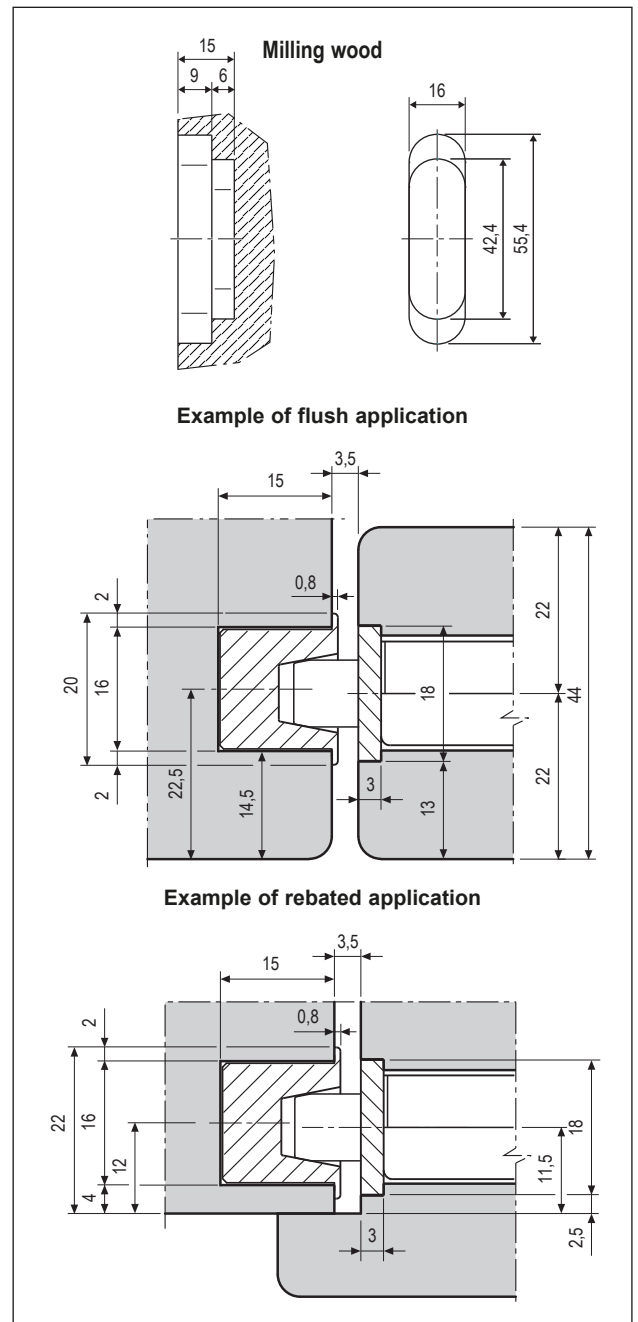
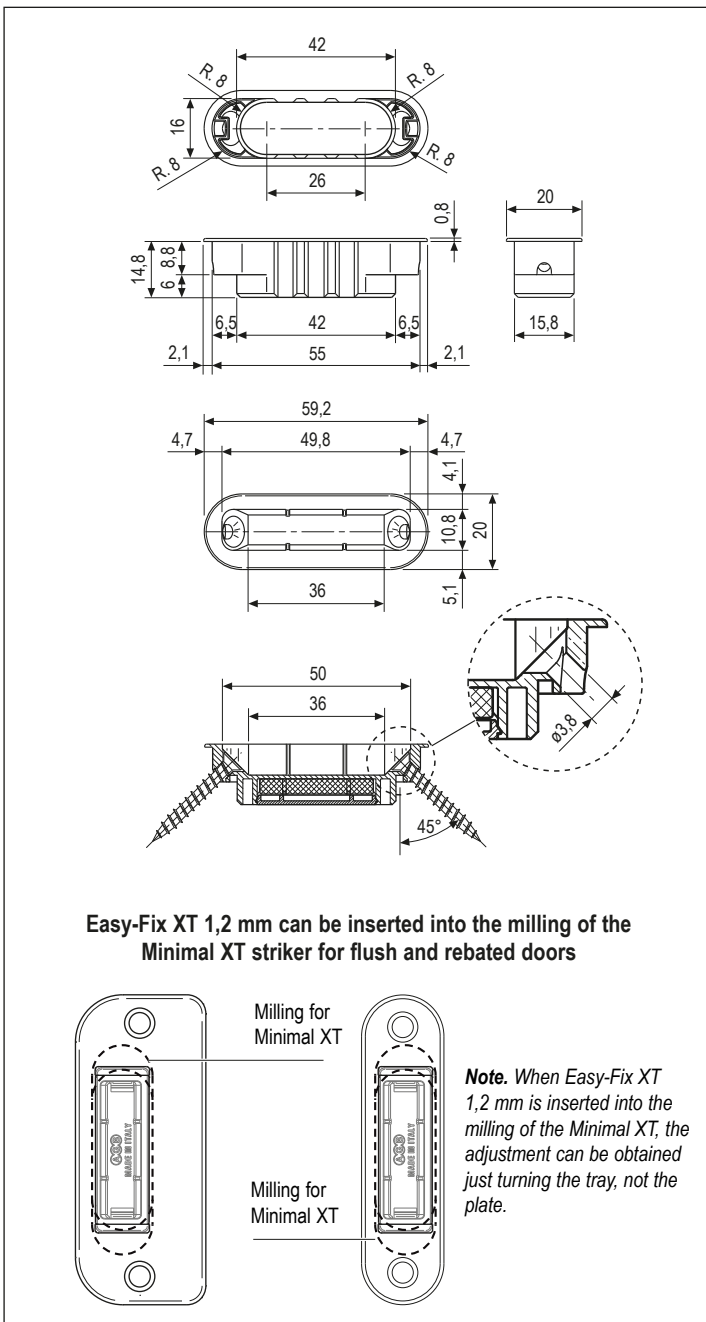
### Selection and Application

To be coupled with Polaris 2XT, Revolution XT and Vitra lock on doors with wooden frame (rebated and flush).

The slanted walls of the striker ensure match with the lock latch, for perfect closing.

### Mounting

Apply a milled component to the frame (dimensions in drawing). For mounting, use two screws (3,5x20 mm), hidden in striker niche.



### Order Specifications

Material	Article
PLASTIC	B02402.05.XX

**Note.** Refer to the price list in force to check the availability of the finishes.